

RANGE	CODE	MODEL	FUNCTION
MI - 90	MAMCOOO5220	PE98EII5V	Boiling Pans

ITEM

Electric boiling pan 150 litre capacity, with indirect heating system and automatic condensed steam outlet



TECHNICAL SPECIFICATIONS

WIDTH (mm):	800		
DEPTH (mm):	920		
HEIGHT (mm):	900		
WEIGHT (Kg):	153		
VOLUME (m ³):	1		
EL. POWER (kW):	21		
VOLTAGE:	VAC400-3N		
COOKING ZONES N°:	1		
COOKING ZONE DETAILS:	1x 21kW		
TANK DIM. (mm):	Ø600mm		
TANK N°:	1	CAPACITY (L):	150
IP GRADE:	IPX5		

DESCRIPTION

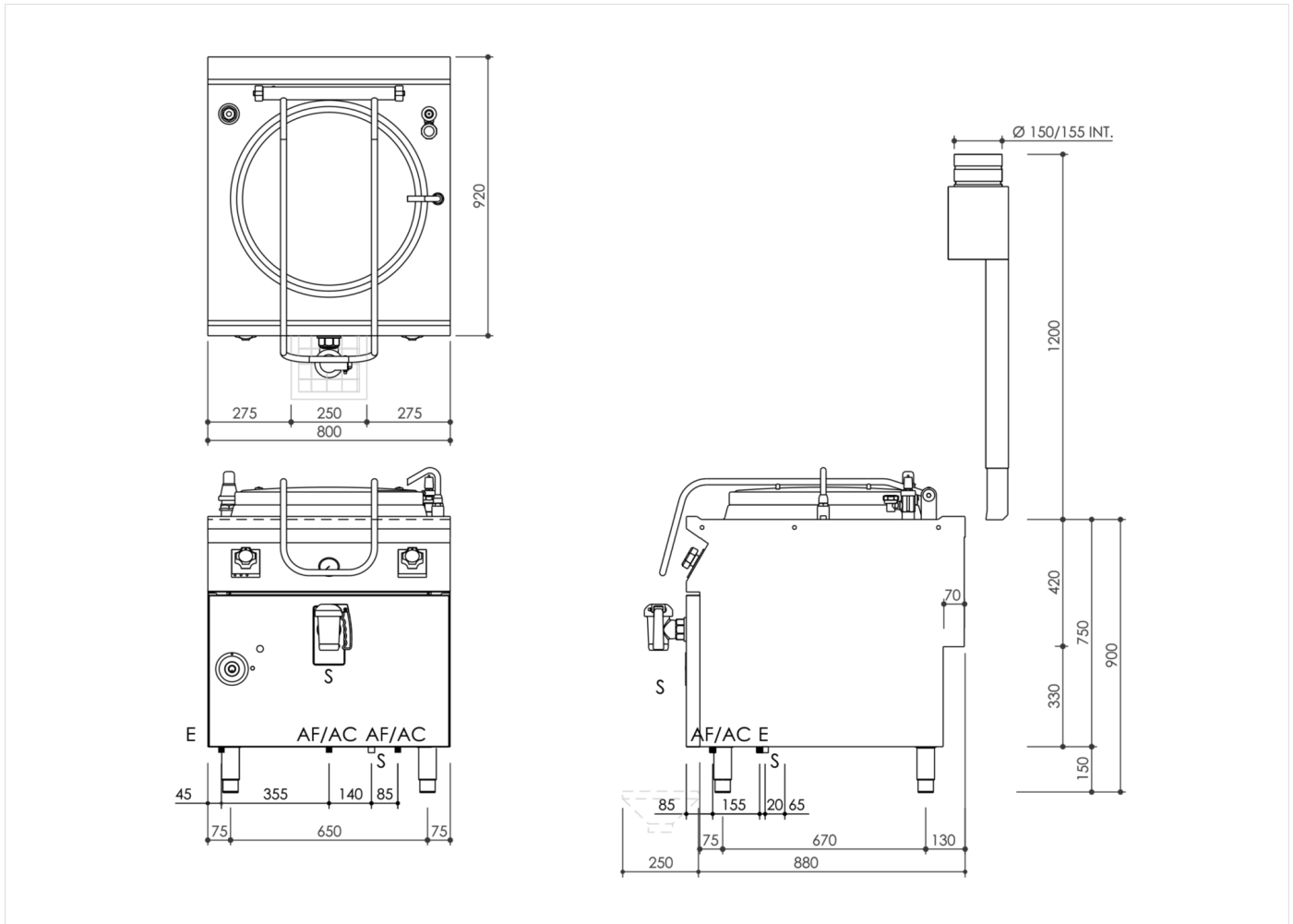
Freestanding indirect heating electric boiling pan in AISI 304 stainless steel. 20/10 pressed steel top with anti-spill front edge, designed for flush alignment with hermetic seal supplied. Tank base in polished AISI 316L stainless steel, walls in AISI 304 stainless steel. Thick insulating panels for thermal insulation of tank. Tank diameter 600 mm, capacity 150 l. Cold or hot water filling via solenoid valves controlled by a selector; water tap located on top 1 1/2 safety drain tap with grip in heatproof material. Counter-balanced lid with 90° opening and handle offering front grip. Indirect heating with low-pressure steam generated by the water in the jacket: safe and easy operation thanks to pressure gauge, safety valve and compensating valve. Innovative control system with no water warning light; heating restarts after the water level in the jacket has been restored. Indirect heating with armoured heating elements inside the jacket. Heat control knob shaped to prevent water infiltration, equipped with integral indicator lights for instant recognition of heating and correct operation of the appliance. Temperature controlled by an energy regulator. Indirect heating version with automatic condensed steam outlet and water filling of the jacket. Model equipped with safety thermostat with reset button accessible to the user. IPX5 water-resistant rating. Appliance equipped with stainless steel adjustable feet.



RANGE	CODE	MODEL	FUNCTION
MI - 90	MAMCOOO5220	PE98EII5V	Boiling Pans

ITEM

Electric boiling pan 150 litre capacity, with indirect heating system and automatic condensed steam outlet



INSTALLATION SPECIFICATIONS

(E) Electrical Connection:	VAC400-3N 50/60Hz
(AF) Cold Water Inlet:	Ø1/2-H=100mm.
(AC) Hot Water Inlet:	Ø1/2-H=100mm.

