



Heavy-Duty, One Gallon Food Blender CB15

INCLUDED ACCESSORIES



CB15BU Base Unit



CAC77 Vinyl Lid for 1 Gallon Blender Jar



CBL10 Hot Blending Lid for 1 Gallon Blenders



CAC72 Two-Handle, 1 Gallon Stainless Steel Container with Blade Assembly and Lid

OPTIONAL ACCESSORIES



CAC125 Two-Handle, 1 Gallon Stainless Steel Container with Spigot, Blade Assembly and Lid



CAC170 1 Gallon, Stackable, 128 oz., BPA-Free Copolyester Container with Blade Assembly and Lid



CAC32 40 oz. Glass Container Complete with Blade Assembly and Lid (requires AD1)



AD1 1 Quart Adapter for 1 Gallon Blenders



CAC19 48 oz., BPA-Free Copolyester Container Complete with Blade Assembly and Lid (requires AD1)



CAC33 32 oz. Stainless Steel Container Complete with Blade Assembly and Lid (requires AD1)



CAC02 Outer Lid ONLY for 48 oz., BPA-Free Copolyester or 64 oz. Stainless Steel Container

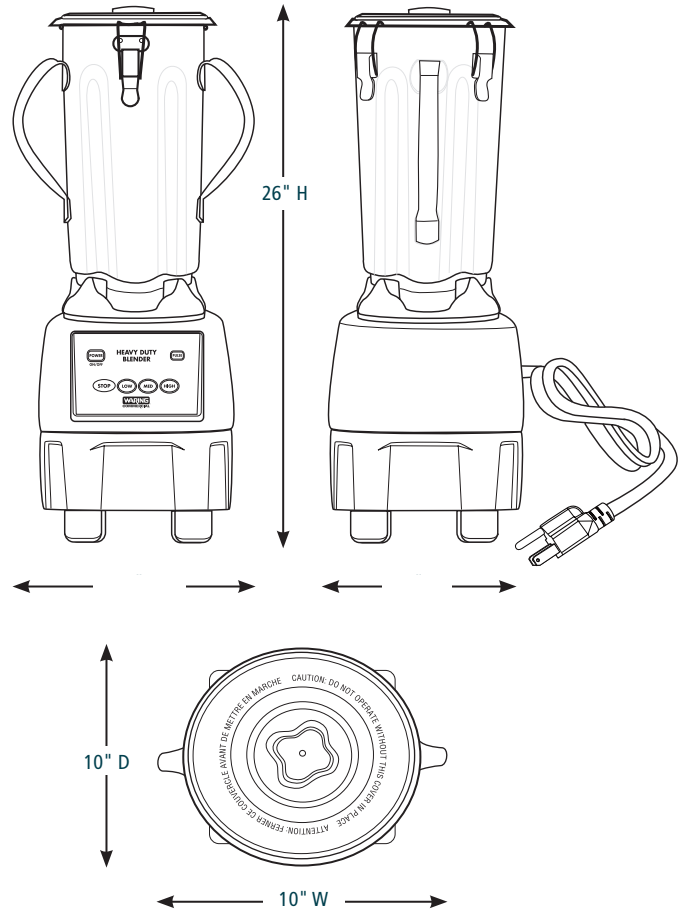


CAC04 Outer Lid ONLY for 32 oz. Stainless Steel Container



CAC05 Center Lid ONLY for CAC01, CAC02, and CAC04

DIMENSIONS



Out of Box Weight: 32.4 lb.

ORDERING INFORMATION	#STD. PKG.	GIFTBOX WEIGHT	CUBIC FEET	BOX DIMENSIONS L x W x H	UPC	CASE PKG.	MC WEIGHT	MC DIMENSIONS L x W x H	MBC
CB15 – One Gallon, 3-Speed Food Blender	1	38	2.1	22.0" x 14.3" x 14.8"	040072000836	1	40	22.5" x 15.3" x 16"	10040072000833



@waringcommercial

©2019 Waring Commercial
314 Ella T. Grasso Avenue, Torrington, CT 06790
Tel. 800-492-7464 • Fax 860-496-9008

waringcommercialproducts.com

19WC058218 / REV 09/19