

Family
COOKING EQUIPMENT STAR 70

Section
CERAMIC COOKERS

Model
NV78EC
Code
CR0598260

4 ZONE CERAMIC HOB

Electric glass-ceramic hob in AISI 304 stainless steel. Equipped with 4 independent cooking zones, each with radiant heating elements - Ø 230 mm 2.5 kW output - controlled by an energy regulator. Sealed 6 mm thick glass-ceramic hob. Maximum temperature 400° C obtained in 3 minutes. Hotplate dimensions: 746x571 mm. The cooking zones are marked by silkscreened circles on the glass-ceramic surface and equipped with residual heat indicators. Indicator leds for verifying correct appliance operation.



Technical data

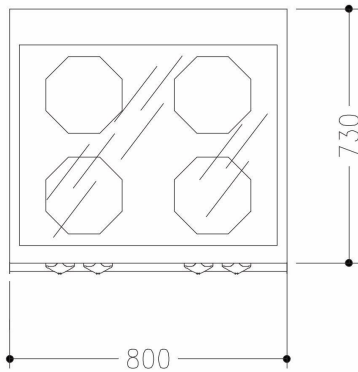
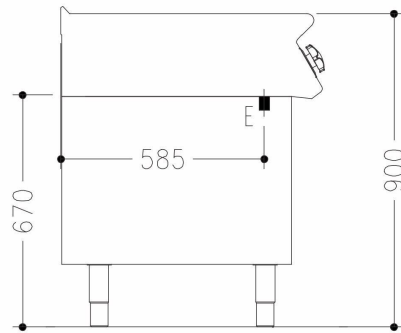
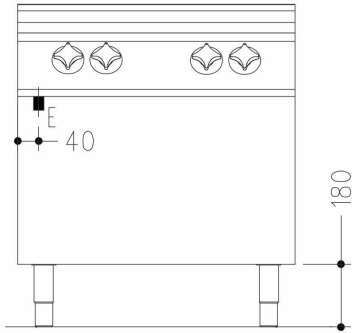
Width mm:	800	Internal dim. oven mm:	
Depth mm:	730	Oven capacity:	
Height mm:	250	Oven power kW:	
Weight kg.:	55.00	Qty heating zones:	4 x 2,5 kW - Ø 230
Volume m ³ :	0.40	Plate dim. mm:	746x571
Power supply:	VAC400 3N 50Hz/VAC230 3 50Hz	Dim. heating zone mm:	
Gas power kW:		Qty tank:	
Electric power kW:	10.00	Tank dim. mm:	
		Tank capacity l:	

Family
COOKING EQUIPMENT STAR 70

Section
CERAMIC COOKERS

Model
NV78EC
Code
CR0598260

4 ZONE CERAMIC HOB



Legend

(E) Socket 1: Connection supply terminal floor level (+100mm). Spare cable 1500mm

(E) Socket 2:

(G) Gas:

(AD) Softened water:

(AF) Cold water:

(AC) Hot water:

(S) Draining 1:

(S) Draining 2:

(FR) In e out freon:

(V) Steam: