

### PLACAS FRÍAS CON GRUPO INCORPORADO / COLD WELLS WITH CONDENSER UNIT

- Placa totalmente soldada, refrigerada mediante serpentín de tubo de cobre.
- Gas refrigerante R-134a. Intervalo de temperatura en la placa -4°C/+4°C
- Cuadro de control móvil de 1 metro de longitud, con termómetro/termostato digital e interruptor de funcionamiento luminoso.
- *Fully welded plate, refrigerated by copper tube coil.*
- *R-134a refrigerant gas. Temperature interval on the plate -4 °C/+4 °C*
- *1 metre long movable control panel, with digital thermometer/thermostat and illuminated on/off switch*



Modelo Model	Dimensiones Dimensions	Medidas de encastre Cut-Out Dimensions	Capacidad GN GN Capacity	Consumo (W) Consumption (W)	Potencia Frig. (W) Cooling Power (W)
PF2G-GI	790x646x430	765x625x420	2 GN1/1	350	250
PF3G-GI	1120x646x430	1095x625x420	3 GN1/1	350	250
PF4G-GI	1445x646x430	1420x625x420	4 GN1/1	400	300
PF5G-GI	1770x646x430	1745x625x420	5 GN1/1	800	530
PF6G-GI	2130x646x430	2100x625x420	6 GN1/1	800	530

### PLACAS FRÍAS / COLD PLATES

- Placa totalmente soldada, refrigerada mediante serpentín de tubo de cobre.
- *Fully welded plate, refrigerated by copper tube coil*



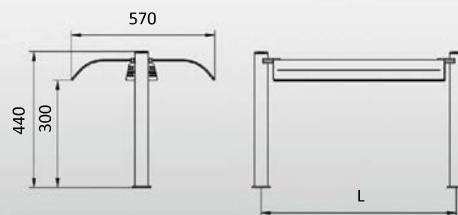
Modelo Model	Dimensiones Dimensions	Medidas de encastre Cut-Out Dimensions	Capacidad GN GN Capacity	Compresor (CV)* Compressor (CV)*	Potencia Frig. (W) Cooling Power (W)
PF2G	790x646x60	765x625x50	2 GN1/1	1/5	250
PF3G	1120x646x60	1095x625x50	3 GN1/1	1/5	250
PF4G	1445x646x60	1420x625x50	4 GN1/1	1/4	300
PF5G	1770x646x60	1745x625x50	5 GN1/1	1/4	530
PF6G	2130x646x60	2100x625x50	6 GN1/1	1/4	530

\* Compresor recomendado para distancias de hasta 4 metros en horizontal y gas refrigerante R-134a  
 \* Compressor recommended for horizontal distances of up to 4 metres and R-134a refrigerant gas

**PANTALLAS BUFFET / BUFFET GANTRIES**


Cristal no incluido / Glass not included

- Soportes en tubo redondo de Ø50 mm.
- Cristales de seguridad templados
- Iluminación por tubos fluorescentes
- Calefacción y luz mediante halógenos
- Fácil instalación.
- Supports made of Ø 50 mm round tubing
- Tempered safety glass
- Lit by fluorescent tubes
- Heating and lighting by halogen lamps
- Easy to install


**PANTALLAS CON LUZ / GANTRY WITH LIGHTING**

Modelo Model	Dimensiones Dimensions	L	Potencia (W) Power (W)
PL-2GN	773x120x440	723	8 W
PL-3GN	1103x120x440	1053	14 W
PL-4GN	1428x120x440	1378	21 W
PL-5GN	1753x120x440	1703	28 W
PL-6GN	2113x120x440	2063	35 W

**CRISTAL NO INCLUIDO / GLASS NOT INCLUDED**

**PANTALLAS CON LUZ Y CALOR / GANTRY WITH LIGHTING AND HEATING**

Modelo Model	Dimensiones Dimensions	L	Potencia (W) Power (W)
PLC-2GN	773x120x440	723	400 W
PLC-3GN	1103x120x440	1053	600 W
PLC-4GN	1428x120x440	1378	800 W
PLC-5GN	1753x120x440	1703	1000 W
PLC-6GN	2113x120x440	2063	1200 W

**CRISTAL NO INCLUIDO / GLASS NOT INCLUDED**


**SOPORTES / PLAIN**

- Se suministran dos soportes por modelo
- Two supports supplied per model

Modelo Model	Tipo Type	Dimensiones Dimensions
SSP	Simple	Ø50x440
SSP6GN	Simple	Ø50x645
SDP	Doble / Double	2113x75x440
SDP6GN	Doble / Double	2113x75x440

**CRISTAL NO INCLUIDO / GLASS NOT INCLUDED**

**CRISTALES CURVOS / CURVED GLASS**


Modelo Model	Dimensiones Dimensions	L
CR-2GN	647x570x133	723
CR-3GN	977x570x133	1053
CR-4GN	1302x570x133	1378
CR-5GN	1627x570x133	1703
CR-6GN	2 x CR-3GN	

**CRISTALES RECTOS CON REFUERZO / REINFORCED STRAIGHT GLASS**


Modelo Model	Dimensiones Dimensions	L
CRR-2GN	647x490x16	723
CRR-3GN	977x490x16	1053
CRR-4GN	1302x490x16	1378
CRR-5GN	1627x490x16	1703
CRR-6GN	2 x CRR-3GN	

**KIT TERMÓMETRO DIGITAL / DIGITAL THERMOMETER KIT**

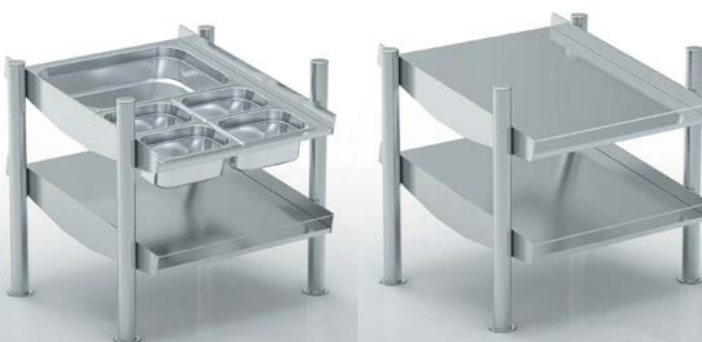
- Fácilmente instalable en las pantallas de luz y de luz / calor
- Pantalla muestra la temperatura del drop-in
- *Easy to install in the canopies with lighting and lighting / heating*
- *Display shows the drop-in temperature*



Modelo Model	Dimensiones Dimensions	
KTD	96x72x44	

**DISPENSADORES DE PAN, CUBIERTOS Y VASOS  
BREAD, CUTLERY AND GLASSES DISPENSERS**

- Patas en tubo redondo de Ø50mm
- Dos sistemas de sujecion posibles: Pies regulables o atornillado a encimera (ambos incluidos de serie)
- Ø50 mm rounded tube legs
- Two available supports systems: Regulated legs or screwed on worktop (both are standard)



Modelo / Model SDPS

Modelo / Model SDVS

Bandejas GN no incluidas / GN trays not included

Modelo Model	Tipo dispensador Dispenser Type	Dimensiones Dimensions
SDPS	Pan, cubiertos y vasos Bread, cutlery and glasses	700x700x665
SDVS	Vasos Glasses	700x700x665

**DISPENSADORES ENCASTRABLES DE PLATOS  
INSERTABLE PLATE DISPENSERS**

- Los platos se mantienen al nivel de encimera mediante sistema regulable de resortes
- Los modelos calientes incluyen interruptor de marcha luminoso y resistencia eléctrica regulable por termostato analógico
- Tapa opcional de material plástico para un mejor aislamiento térmico
- *The plates are kept at worktop level by an adjustable system of springs*
- *The heated models include an illuminated on/off switch and an electrical heating element adjustable by analogue thermostat*
- *Optional plastic cover for better thermal insulation*



Modelo Model	Tipo Type	Nº platos aprox Approx. no. plates	Potencia (W) Power (W)	Dimensiones Dimensions	Orificio de encastre Cut-out dim
DPN-45	Neutro / Neutral	45	-	ø368x643	ø358
DPN-60	Neutro / Neutral	60	-	ø368x748	ø358
DPC-45	Caliente / Hot	45	500	ø368x656	ø358
DPC-60	Caliente / Hot	60	500	ø368x761	ø358
TDP	Tapa / Cover	-	-	ø365x80	-